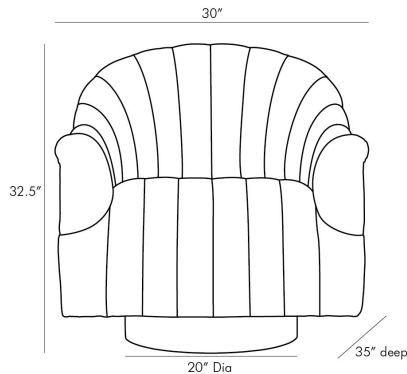


ARTERIOS

SPRINGSTEEN CHAIR INDIGO TWEED CHAMPAGNE SWIVEL



8034

H: 32.5 IN, W: 30 IN, D: 35 IN

Indigo Tweed

Contract Suitable As Is

Style reigns supreme in this sensuous swivel chair plucked straight from the seventies. The inviting barrel back, plush channeling and sleek satin brass plinth base create the perfect club chair. Place a pair in your favorite entertaining space with petite drinks tables or use four around a cocktail table instead of the traditional sofa and chair combo. These are meant to be touted, not tucked away!

APPEARANCE

Material	Steel, Tweed
Finish	Champagne
Top Coat/Sealant	false

DIMENSIONS

Arm	H: 22 IN, W: 4.5 IN
Foot Print	Dia: 20.00 IN
Yardage To Reupholster	7
Leg Height	4.5 IN
Seat	W: 21 IN, D: 21 IN
Seat Height	17 IN
Seat	W: 21 IN, D: 21 IN

SHIPPING

Shipping Requirements	TruckShip
Product Weight	80 LBS
Gross Weight 1	85 LBS
Shipping Box 1	H: 43 IN, L: 41 IN, W: 38 IN

ADDITIONAL INFO

Fabric Composition	56% Polystr 22% Cotton 18% Acrylic 4% Polyethylene
Fabric Double Rub Count	75,000
Fabric Compliancy	NFPA-260, TB117-2013

CONTRACT

Contract Suitable	true
Contract Textile Suitability	High Traffic/Public Spaces
Swatch Number	X04SW, X048X8